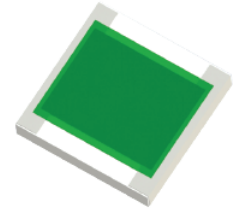


RP1010ZZ-XXXXWN-YY Features:

- Wraparound Terminal Configuration
- Customer Defined Testing Available
- RoHS Compliant or SnPb Available
- Tape and Reel and Waffle Pack Available (Standard is bulk)



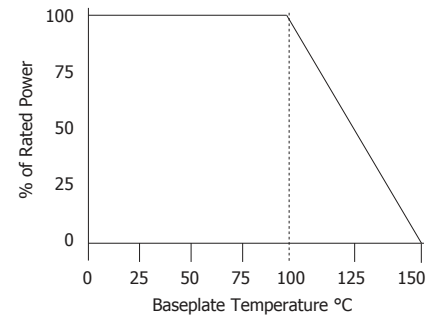
RP1010ZZ-XXXXWN-YY Parameters:

Resistance Range (Al ₂ O ₃ and BeO):	0.5Ω - 1MΩ
Resistance Range (AlN):	10Ω - 1KΩ
Rated Power:*	
0.015" Al ₂ O ₃	1W
0.025" Al ₂ O ₃	0.5W
0.015" AlN	2W
0.015" BeO	2W
Operating Temperature:	-55 to +150°C

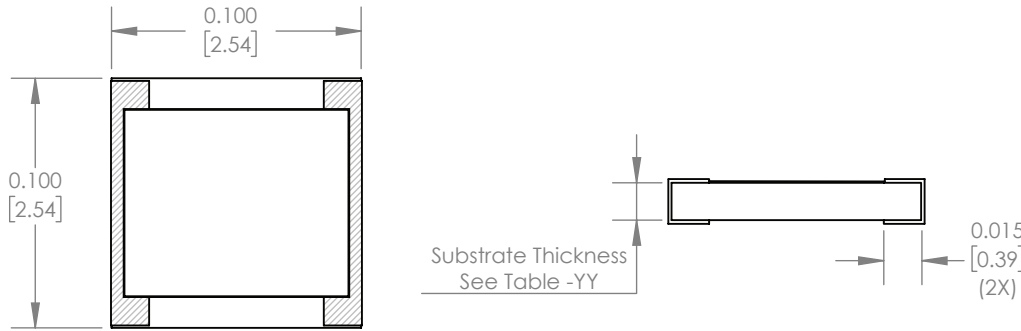
* Rating based on ≤100°C constant baseplate temperature

■ Actual Size

RP1010ZZ-XXXXWN-YY Power Derating Curve



RP1010ZZ-XXXXWN-YY Dimensions:



Dimensions in inches [mm]
Tolerance is ± 0.005 [0.13]
unless otherwise stated

Ordering Information:

Example Part Number: RP1010CT-50R0JN-91

RP	1010	ZZ	-	XXXX	W	N	-	YY	UU
Prefix for Wraparound Resistor				Value Code	Tolerance	Normal Inspection Contact factory for additional options		Substrate	Packaging
	Size 1010			50R0 - 50Ω 1000 - 100Ω 1001 - 1KΩ	1002 - 10KΩ 1003 - 100KΩ 1004 - 1MΩ	F - 1% G - 2% J - 5%		91 - 0.015" Al ₂ O ₃ 93 - 0.025" Al ₂ O ₃ 2Q - 0.015" AlN 96 - 0.015" BeO	Blank - Bulk TR - Tape & Reel WP - Waffle Pack

Terminal Metallization

AS -	SnPb over Platinum Palladium Gold
AX -	Sn96 over Platinum Palladium Gold
BA -	Palladium Silver (Al ₂ O ₃ Only)
CB -	Tin Lead over Nickel over Silver
CC -	100% Matte Tin over Copper over Silver
CT -	100% Matte Tin over Nickel over Silver
JA -	Gold over Platinum Palladium Gold (BeO Only)
GA -	Gold (Al ₂ O ₃ Only)

	RoHS	Magnetic	Solder	Epoxy	Wirebond
AS -	No	No	Yes	No	No
AX -	Yes	No	Yes	No	No
BA -	Yes	No	No	Yes	No
CB -	No	Yes	Yes	No	No
CC -	Yes	No	Yes	No	No
CT -	Yes	Yes	Yes	No	No
JA -	Yes	No	No	Yes	Yes
GA -	Yes	No	No	Yes	Yes

Barry Industries reserves the right to change part number and/or process without notification.

RP1010ZZ-XXXXWN-YY Reliability Specifications:

Parameter:	Test Condition:	Results:
Short Time Overload	Apply 1.1x Rated Power for 5 Seconds.	≤ 5.0% Resistance Shift
Rated Load Life	Apply 1/2 Power Under 40°C ±2°C 90 Minutes on/ 30 Minutes off. Repeat for 100 hours	≤ 5.0% Resistance Shift
Moisture Resistance	MIL-PRF-55342 para 4.8.9 95% RH, 25°C - 65°C	≤ 5.0% Resistance Shift
Resistance to Soldering Heat	MIL-STD-202 Method 210 and MIL-PRF-55342 Para 4.8.8.1	≤ 5.0% Resistance Shift
Resistance to Bonding Exposure	MIL-PRF-55342 Para 4.8.8.2	≤ 5.0% Resistance Shift
Solderability	MIL-PRF-55342 Para 4.8.12	>95% Covered
High Temperature Storage	125°C ±2°C for 500 Hours	1.) ≤ 5.0% Resistance Shift 2.) No Significant Abnormality (Visual)
Thermal Shock	-65 to +125 30 Minutes Dwell, 5 Cycles	1.) ≤ 5.0% Resistance Shift 2.) No Significant Abnormality (Visual)

Barry Industries reserves the right to change part number and/or process without notification.